

PLCC Sockets — Low Profile, Surface Mount (Continued)

Square Sockets — 20, 28, 44, 52, 68 and 84 Positions

Materials and Finish

Housing — Polyphenylene sulfide, 40% glass filled, UL 94V-0 rated

Contacts — Phosphor bronze with .000200 [0.00508] 93/7 tin-lead per MIL-T-10727 Type I over .000050 [0.00127] nickel per QQ-N-290

Packaging Quantities

20 Positions:

38 Pcs./Tube*, 84 Tubes/Box
Total = 3192 Pcs./Box
Tape Mounted = 400/Reel*

28 Positions:

32 Pcs./Tube*, 70 Tubes/Box
Total = 2240 Pcs./Box
Tape Mounted = 400/Reel*

44 Positions:

25 Pcs./Tube*, 56 Tubes/Box
Total = 1400 Pcs./Box
Tape Mounted = 250/Reel*

52 Positions:

21 Pcs./Tube*, 49 Tubes/Box
Total = 1029 Pcs./Box
Tape Mounted = 250/Reel*

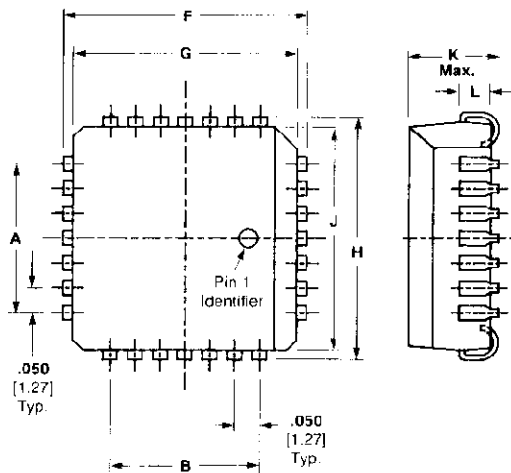
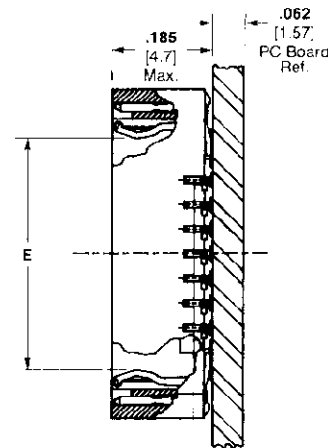
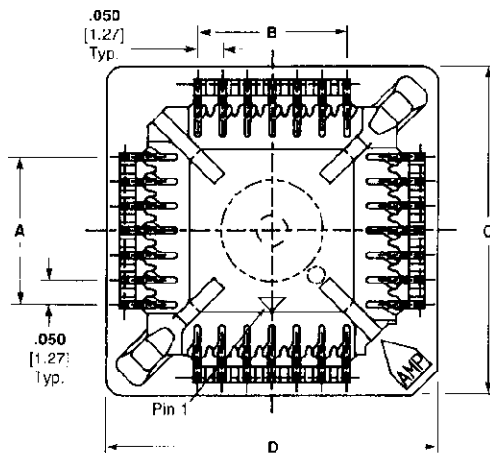
68 Positions:

18 Pcs./Tube*, 42 Tubes/Box
Total = 756 Pcs./Box
Tape Mounted = 220/Reel*

84 Positions:

15 Pcs./Tube*, 35 Tubes/Box
Total = 525 Pcs./Box
Tape Mounted = 150/Reel*

*Minimum order quantity.



Extraction Tools



NO. OF Pos.	Call Number
20	82201-1
28	822045-1
44	821981-1
52	822049-1
68	822026-1
84	822268-1

**All Purpose Tool
Part No. 822154-1**



Recommended Chip Carrier

No. of Pos.	Dimensions											Low Insertion Force		
	A	B	C	D	E	F	G	H	J	K	L	Without Locating Posts	With Locating Posts	Tape Mounted Without Locating Posts
20	.200 5.08	.200 5.08	.565 14.35	.565 14.35	.364 9.25	.390 9.91	.353 8.97	.390 9.91	.353 8.97	.180 4.57	.058-.088 1.47-2.24	822269-1	822270-1	3-822269-1
28	.300 7.62	.300 7.62	.665 16.89	.665 16.89	.464 11.79	.490 12.45	.453 11.51	.490 12.45	.453 11.51	.180 4.57	.058-.088 1.47-2.24	822271-1	822272-1	3-822271-1
32	See Page 79													
44	.500 12.7	.500 12.7	.865 21.97	.865 21.97	.664 16.87	.690 17.53	.653 16.59	.690 17.53	.653 16.59	.180 4.57	.058-.088 1.47-2.24	822275-1	822276-1	3-822275-1
52	.600 15.24	.600 15.24	1.000 25.4	1.000 25.4	.764 19.41	.790 20.07	.753 19.13	.790 20.07	.753 19.13	.200 5.08	.054-.084 1.37-2.13	822277-1	822278-1	3-822277-1
68	.800 20.32	.800 20.32	1.200 30.48	1.200 30.48	.964 24.48	.990 25.15	.954 24.23	.990 25.15	.954 24.23	.200 5.08	.054-.084 1.37-2.13	822279-1	822280-1	3-822279-1
84	1.000 25.40	1.000 25.40	1.400 35.56	1.400 35.56	1.164 29.57	1.190 30.23	1.154 29.31	1.190 30.23	1.154 29.31	.200 5.08	.054-.084 1.37-2.13	822281-1	822282-1	3-822281-1